

6

5

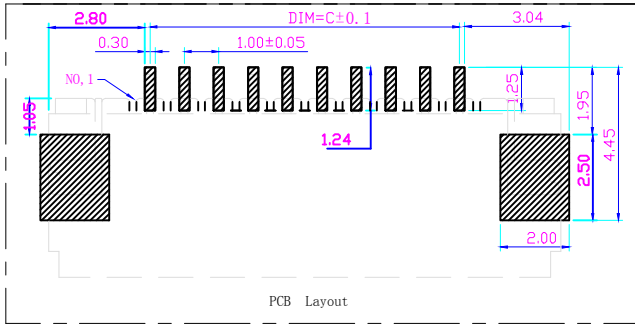
4

3

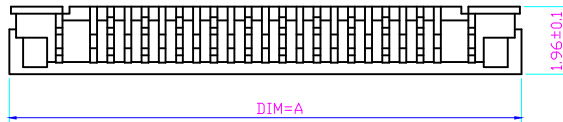
2

1

REV.	DESCRIPTION	DATE	DWG.	CHKD
0	PROPOSED	14.06.10	B.K	T.H



PCB Layout

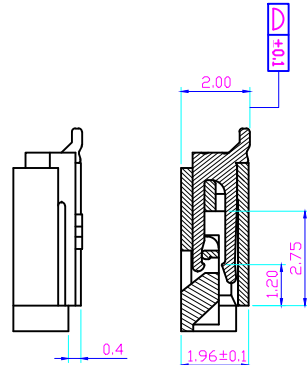
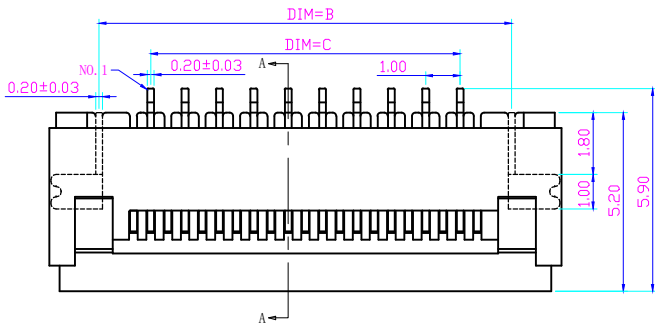


Electrical Characteristics:  
 Current rating: 0.5A AC/DC  
 Voltage rating: 50V AC/DC  
 Temperature range: -25°C~+85°C  
 Withstand Voltage: 200V AC/Minute  
 Contact Resistance: 20mΩ  
 Insulation resistance: 500MΩ  
 Relative Humidity: 93%+40°C

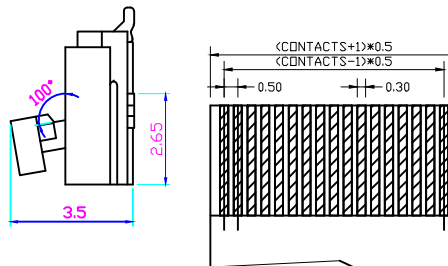
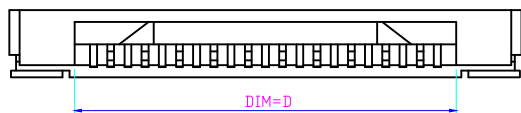
Material Description:  
 Terminal: Phosphor Bronze Tin-Leadplated  
 Fitting Nail: Brass Tin-Plated  
 Housing: Thermoplastic(UL94V-0)  
 Slider: Thermoplastic(UL94V-0)

ORDERING CODE  
 MF06-1 3 - 2 X X - X 1 1 X - X  
 FFC\FPC  
 PITCH 1.0mm  
 HORIZONTAL  
 CONTACT TYPE  
 2-LOWER CONTACT  
 NO. OF CONTACTS  
 06-60 PIN  
 HOUSING & ACTUATOR MATERIALS  
 9-HOUSING PA-46, ACTUATOR PPS (BLACK)UL 94V-0  
 PLANTING  
 A: MATTE TIN 100μ MIN, OVER 50μ MIN NI ON CONTACT  
 PACKING TYPE  
 1-TUBE  
 2-REEL  
 HOLDDOWN TYPE  
 1-HOLDDOWN TYPE 1.  
 TAIL LENGTH  
 1-TAIL LENGTH 0.70mm.

PIN数	DIM=A	DIM=B	DIM=C	DIM=D
30P	34.90	32.00	29.00	31.10
29P	33.90	31.00	28.00	30.10
28P	32.90	30.00	27.00	29.10
27P	31.90	29.00	26.00	28.10
26P	30.90	28.00	25.00	27.10
25P	29.90	27.00	24.00	26.10
24P	28.90	26.00	23.00	25.10
23P	27.90	25.00	22.00	24.10
22P	26.90	24.00	21.00	23.10
21P	25.90	23.00	20.00	22.10
20P	24.90	22.00	19.00	21.10
19P	23.90	21.00	18.00	20.10
18P	22.90	20.00	17.00	19.10
17P	21.90	19.00	16.00	18.10
16P	20.90	18.00	15.00	17.10
15P	19.90	17.00	14.00	16.10
14P	18.90	16.00	13.00	15.10
13P	17.90	15.00	12.00	14.10
12P	16.90	14.00	11.00	13.10
11P	15.90	13.00	10.00	12.10
10P	14.90	12.00	9.00	11.10
9P	13.90	11.00	8.00	10.10
8P	12.90	10.00	7.00	9.10
7P	11.90	9.00	6.00	8.10
6P	10.90	8.00	5.00	7.10
5P	9.90	7.00	4.00	6.10
4P	8.90	6.00	3.00	5.10
3P	7.90	5.00	2.00	4.10
2P	6.90	4.00	1.00	3.10



SECTION A-A



FFC/FPC DIMENSION THICKNESS 0.30 mm

NOTE	FINISH	NET REEL	PART NO.	NAME	NO.
MATERIAL	*****	*****	*****	*****	UNIT:mm
TIN-SHEAT	*****	*****	*****	±0.2 ±3°	A4
FINISHES	*****	*****	*****	SIZE	
CUSTOMER PART NO.	*****	*****	*****	*****	*****
MSH TECHNOLOGY			PART NO. MF06-13-2XX-911X-X		
T.HASHIMOTO			T.HASHIMOTO		
FPC CONNECTOR PITCH=1.0mm Hi2.0			NAME: (SHEET 1 OF 5)		

\*\*\*\*\*